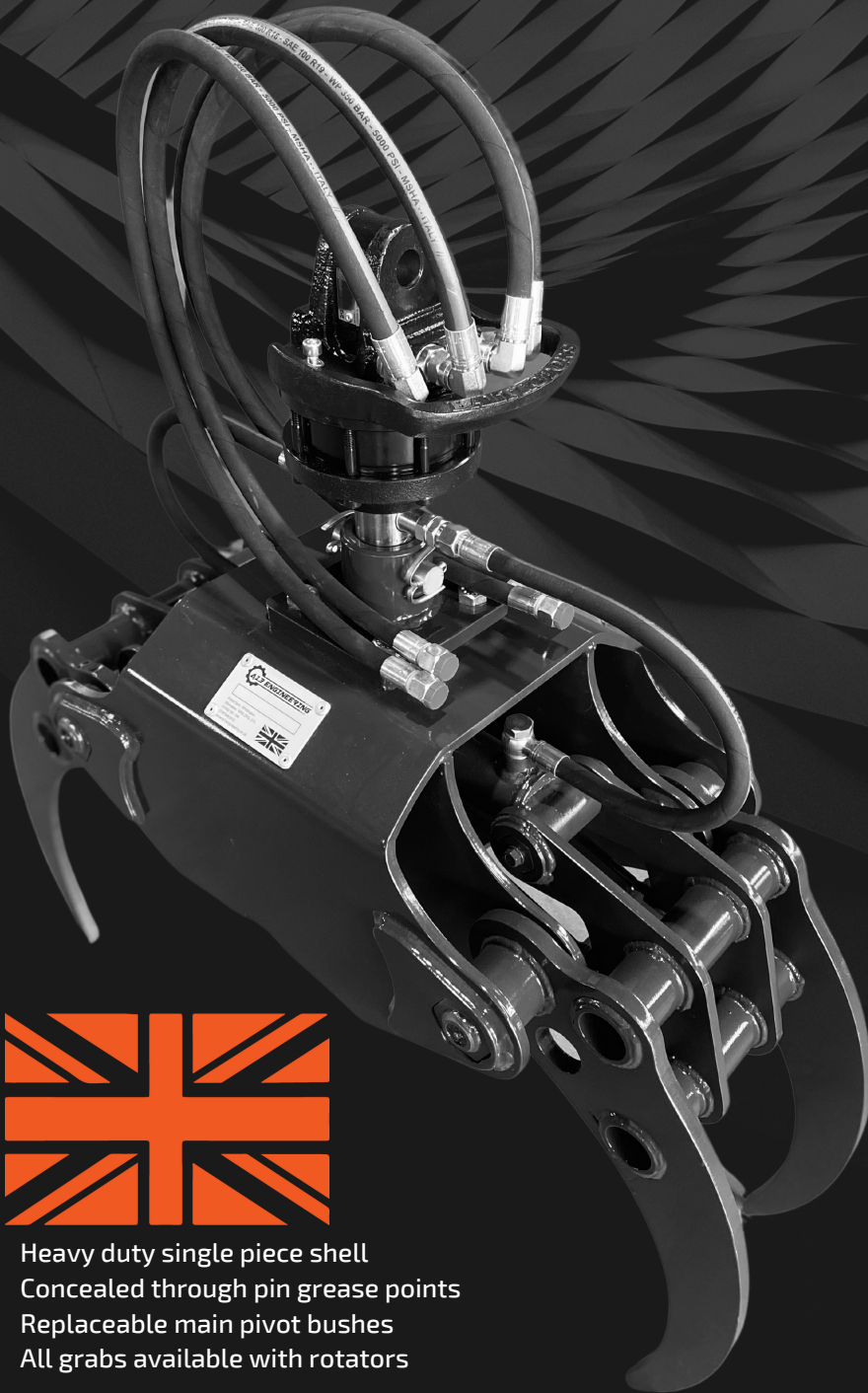




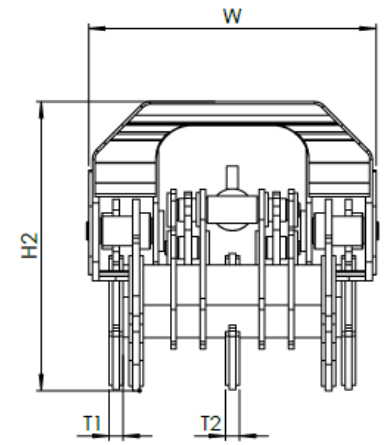
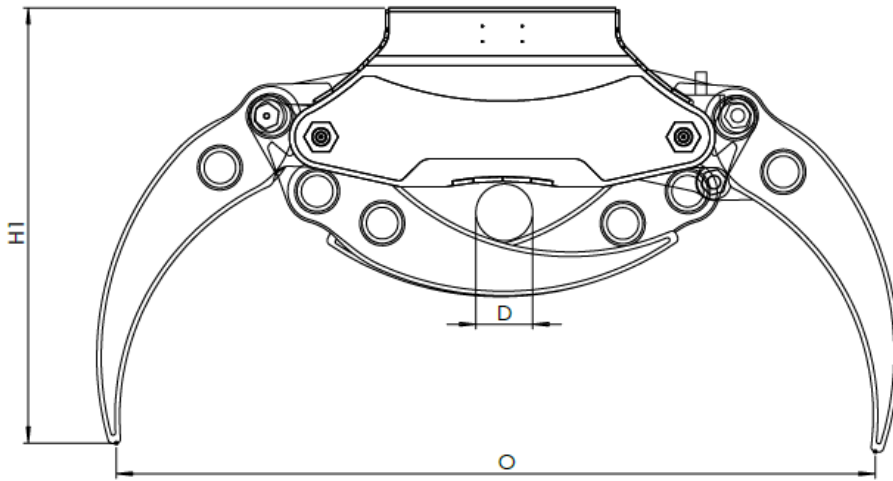
Attachments

BRITISH DESIGNED AND BUILT



- Heavy duty single piece shell
- Concealed through pin grease points
- Replaceable main pivot bushes
- All grabs available with rotators

www.msmdrh.co.uk sales@msmdrh.co.uk Tel: 44 (0)1684 564792
MSM DRH Ltd, Toner House, Buckholt Drive, Worcester, WR4 9ND England
Company number: 01839492



| | GG1 | GG2E | GG2 | GG3 | GG4 |
|--------------|-------------|-------------|-------------|-----------|------------|
| D | COMING SOON | 80mm | 50mm | 50mm | 110mm |
| H1 | COMING SOON | 600mm | 650mm | 650mm | 980mm |
| O | COMING SOON | 1060mm | 800mm | 800mm | 1670mm |
| H2 | COMING SOON | 447mm | 380mm | 380mm | 630mm |
| W | COMING SOON | 340mm | 350mm | 450mm | 634mm |
| T1 | COMING SOON | 12mm | 15mm | 15mm | 31mm |
| T2 | COMING SOON | 12mm | 15mm | 15mm | 31mm |
| KG | COMING SOON | 70kg | 85kg | 110kg | 425kg |
| Machine size | COMING SOON | 1 - 2.5 ton | 1.5 - 3 ton | 3 - 5 ton | 8 - 13 ton |
| BAR | COMING SOON | 250 | 250 | 250 | 250 |
| kN | COMING SOON | 8.2 | 13 | 13 | 19.5 |